

Blast, Ballistic and Security Door Systems



BulletShield™ Models BT1000 & BT3000

Bullet Resistant Rolling Door Assemblies

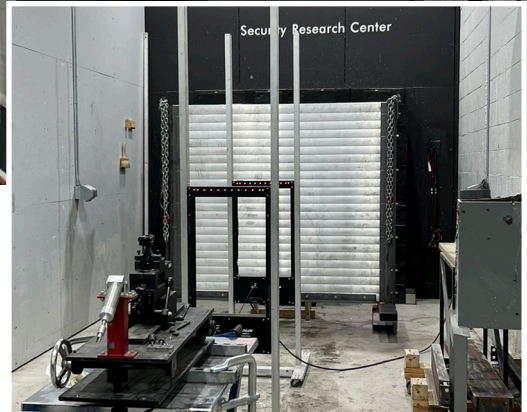
The McKEON BulletShield Models BT1000 and BT3000 have been tested, certified and listed as rolling door assemblies in accordance with UL 752, 11th Edition for bullet resistance ratings.

BT1000

- Achieved a Level 1 ballistics rating providing protection from all caliber handguns up to 9mm.

BT3000

- Achieved a Level 3 ballistics rating providing protection from large bore, large caliber handguns up to .44 magnum.



Product Features

Certifications

UL 752, 11th Edition for bullet resistance ratings:

- BT1000, Level 1
- BT3000, Level 3

Operation

- Motorized closing system - automatic self-closing or localized control station operation
- Hand chain - emergency manual override
- Programmable delayed automatic closing
- Optional security modes - standard or enhanced

Size

No listing limitations - please consult factory for details

Finishes

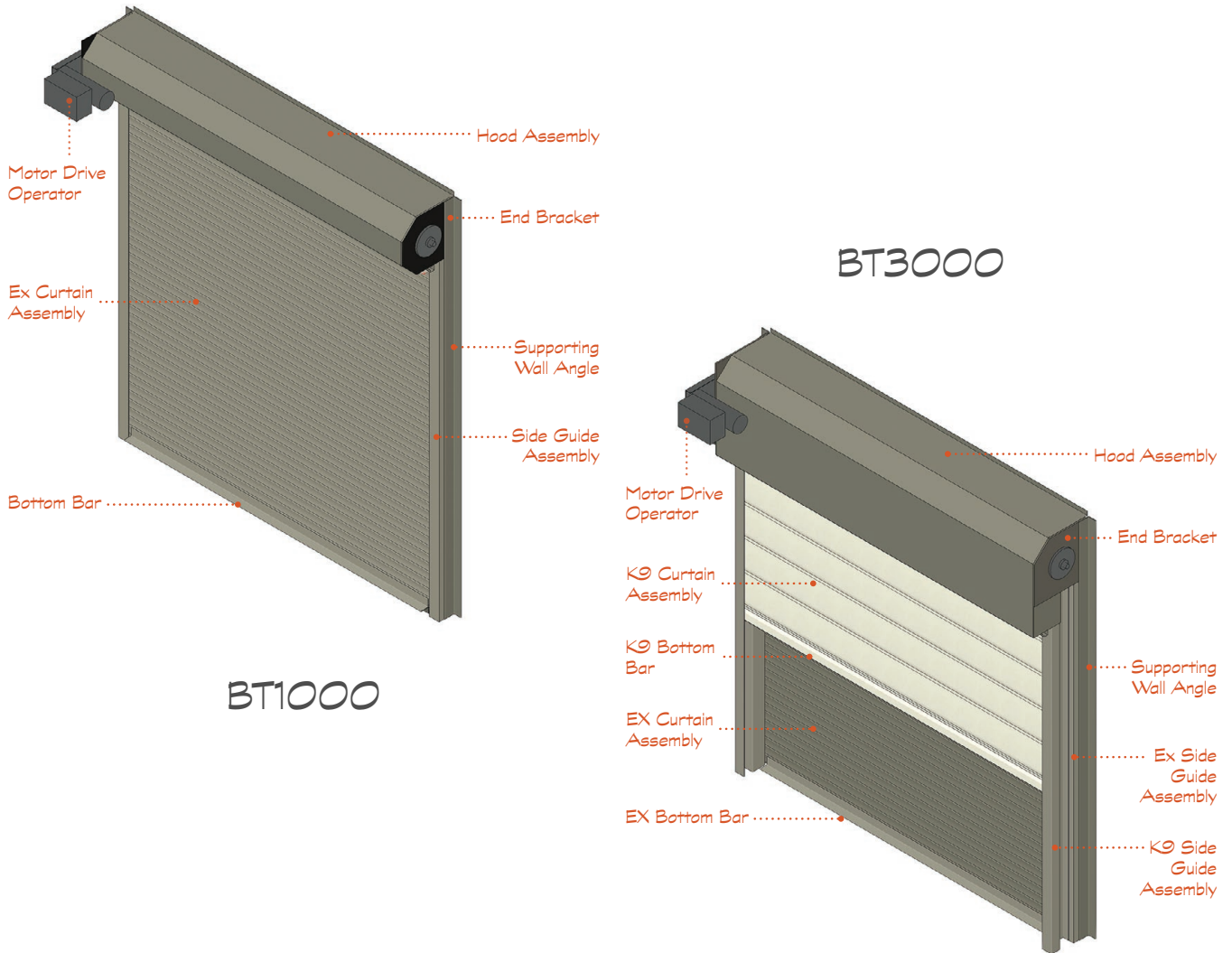
- McKEON Sterling Gray
- Powder Coat of any color as selected

This technology has patents pending.

BT1000 & BT3000

Blast, Ballistic and Security Door Systems

Security requirements are increasingly requiring bullet resistant doors. The BulletShield BT1000 is listed as Level 1 providing protection often required in gas stations, transactions spaces, retail/convenience stores, and pharmacies. BulletShield BT3000 is listed as Level 3 providing protection for high-risk and high occupancy public buildings including schools, banks and government facilities.



MODEL	OPEN/CLOSE	EGRESS	FUNCTION
BT1000	Motor Operation	N/A	Vertical Acting Level 1 Bullet Resistant Door
BT3000	Motor Operation	N/A	Vertical Acting Level 3 Bullet Resistant Door



McKEON® 44 Sawgrass Drive, Bellport, NY 11713 | 800.266.9392 | www.McKeonDoor.com | Info@McKeonDoor.com

BT1000 & BT3000